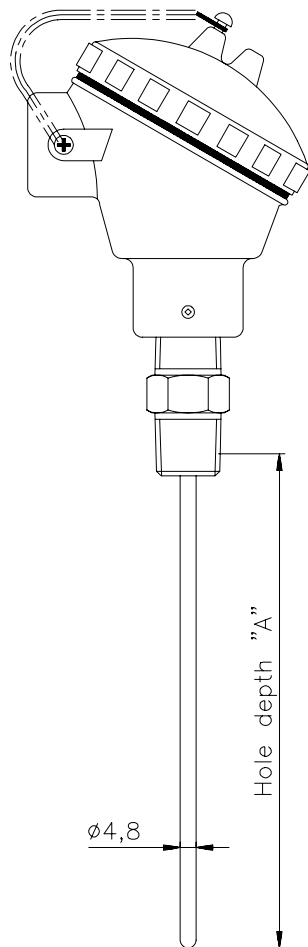


# OIL SEAL THERMOCOUPLES

with spring loading



## Specifications:

Series	:	OTP-50.000
Probe type	:	mineral insulated single or duplex spring loaded thermocouple
Insert	:	mounted by means terminal block with screw type terminals
Thermocouple type	:	iron-constantan, type J chromel-alumel, type K copper constantan, type T
Standard limits of error	:	ANSI MC 96.1/IEC-584
Insulation material	:	densely packed MgO, 99,6% purity
Probe diameter	:	4,8 mm (3/16")
Sheath material	:	SS 316 for type J and T (Wstrn.1.4401) and Inconel 600 for type K (Wstrn.2.4816)
Hot junction	:	grounded
Connection head	:	Thermo Electric weatherproof, cast aluminium head
Cable entry	:	3/4" NPT female thread
Process connection	:	3/8" NPT
Hole depth 'A'	:	to be specified; replace box in ordering code with your required length

## Ordering code:

### Thermocouple type

Type J  
Type K  
Type T

### Single

OTP-50481- J -  mm  
OTP-50483- K -  mm  
OTP-50481- T -  mm

### Duplex

OTP-52481- J -  mm  
OTP-52483- K -  mm  
OTP-52481- T -  mm

= hole depth 'A' in mm (to be specified)

Also available in inches



**Thermo Electric**  
P.O. Box 179  
2740 AD Waddinxveen  
The Netherlands

Tel. : +31 (0)182 – 302 850  
Fax : +31 (0)182 – 302 777  
E-mail : info@thermo-electric.nl  
Internet: <http://www.thermo-electric.nl>

**D/110**  
**Rev.00 08/03**