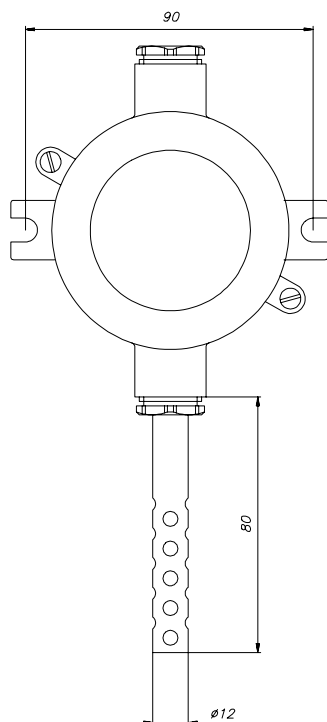


AIR TEMPERATURE SENSORS

for wall mounting



Specifications:



Type	:	resistance thermometer with connection box
Temperature range	:	-30 to +70 °C
Element type	:	Pt100, single
Resistance type and tolerance	:	IEC-751 class B (1/6 DIN at 0 °C)
Wiring system	:	4-wire
Connection box material	:	brass
Protection tube	:	round 12 mm stainless steel, perforated with open end
Cable entry	:	G 5/8 cable gland for wire size 6-10 mm o.d.
Approval	:	Lloyd's Register and Bureau Veritas

Ordering code:

Duplex : OTP-18028- Pt100

Single : OTP-18027- Pt100



Thermo Electric
P.O. Box 179
2740 AD Waddinxveen
The Netherlands

Tel. : +31 (0)182 – 302 850
Fax : +31 (0)182 – 302 777
E-mail : info@thermo-electric.nl
Internet: <http://www.thermo-electric.nl>

D/350
Rev.00 08/03