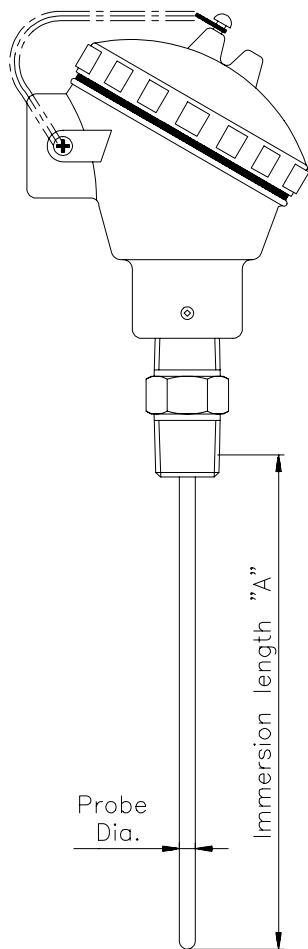


DIRECT IMMERSION MI-CABLE-COUPLES

with fixed bush



Specifications:

Series	:	OTP-60.000
Probe type	:	mineral insulated single or duplex thermocouple, welded on mounting bush
Thermocouple type	:	iron-constantan, type J chromel-alumel, type K copper-constantan, type T
Standard limits of error	:	ANSI MC 96.1 / IEC 584
Insulation material	:	densely packed MgO, 99,6% purity
Sheath material	:	SS 316 for type J and T (Wstrn.1.4301) and Inconel 600 for type K (Wstrn.2.4816) other materials available
Hot junction	:	insulated, common insulated for duplex
Minimum insulation resistance	:	10 Mohm at ambient temperature with 200 V DC
Connection head	:	Thermo Electric weatherproof, cast aluminium head
Cable entry	:	3/4" NPT female thread
Process connection	:	1/2" NPT
Probe length 'A'	:	to be specified; replace box in ordering code with your required length

Ordering code:

□ = probe length 'A' in mm (to be specified)

Probe diameter	Thermocouple type	Single	Duplex
4,8 mm (3/16")	Type J	OTP-60481- J -□ mm	OTP-62481- J -□ mm
	Type K	OTP-60483- K -□ mm	OTP-62483- K -□ mm
	Type T	OTP-60481- T -□ mm	OTP-62481- T -□ mm
6,4 mm (1/4")	Type J	OTP-60641- J -□ mm	OTP-62641- J -□ mm
	Type K	OTP-60643- K -□ mm	OTP-62643- K -□ mm
	Type T	OTP-60641- T -□ mm	OTP-62641- T -□ mm



Thermo Electric
P.O. Box 179
2740 AD Waddinxveen
The Netherlands

Tel. : +31 (0)182 – 302 850
Fax : +31 (0)182 – 302 777
E-mail : info@thermo-electric.nl
Internet: http://www.thermo-electric.nl

D/115
Rev.00 08/03