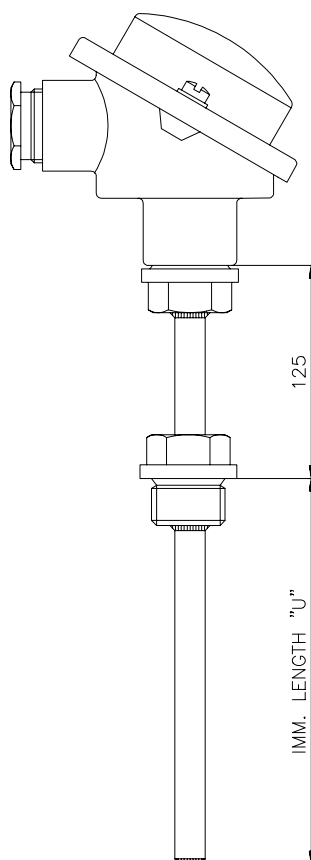


# TEMPERATURE SENSORS

with replaceable insert

## Specifications:



### CONNECTION HEAD

Type : light weight head with cover (DIN form B)

Material : cast-aluminium

Conduit entry : PG 16 cable gland

Cable diameter : 11,5 mm - 15,5 mm

### INSERT

Thermocouple : series TEE-20.000 single or duplex (probe diameter 4,8 mm)

Resistance thermometer : series RTD-20.000 single or duplex 3-wire system (max. operating temperature 400 °C, probe dia. 6,0 mm)

Insert length 'A' : for replacement insert add 155 mm to 'U' length

### PROTECTION TUBE

Type : closed tube with welded on mounting bush

Material : SS 316 (Wst.nr. 1.4401)

Mounting bush : G 1/2" (B.S.P.P.)

Outside dia. x wall thickness : 9,5 x 0,9 mm

Extension : approx. 125 mm

Immersion length 'U' : to be specified; replace box in ordering code with your required length; our standard lengths are 150 mm, 250 mm, and 500 mm

Other tube dimensions and materials also available.

## Ordering code:

### SINGLE

Complete assembly	Replacement insert
'U'	'A'
OTP-75952- J -□ mm	TEE-20482- J -□ mm
OTP-75952- K -□ mm	TEE-20482- K -□ mm
OTP-75952- T -□ mm	TEE-20482- T -□ mm
OTP-75952- Pt100 -□ mm	RTD-23603- Pt100 -□ mm

### DUPLEX

Complete assembly	Replacement insert
'U'	'A'
OTP-76952- J -□ mm	TEE-22484 J -□ mm
OTP-76952- K -□ mm	TEE-22484- K -□ mm
OTP-76952- T -□ mm	TEE-22484- T -□ mm
OTP-76952- Pt100 -□ mm	RTD-24606- Pt100 -□ mm

□ = immersion length 'U' in mm (to be specified)

Also available in inches