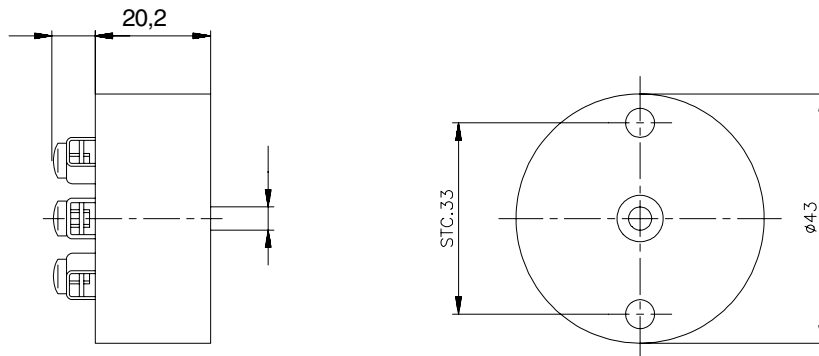


TEMPERATURE TRANSMITTERS

accurate, microprocessor based, programmable



Dimensions:



Max. wire size terminals: 1 x 1,5 mm²
 Inner hole: \varnothing 6mm

Ranges:

Input range	°C	°F	Norm			
K	-100 to +1372	-148 to +2475	IEC584			
J	-100 to +1200	-148 to +2192	IEC584			
T	-200 to +400	-328 to +752	IEC584			
E	-100 to +1000	-148 to +1832	IEC584			
R	-50 to +1760	-58 to +3190	IEC584			
S	-50 to +1760	-58 to +3150	IEC584			
B	400 to +1820	752 to +3275	IEC584			
L	-100 to +900	-148 to +1652	DIN43710			
U	-200 to +600	-328 to +1112	DIN43710			
N	-180 to +1300	-292 to +2372	IEC584			
W3	0 to +2300	32 to +4172	ASTME988-90			
W5	0 to +2300	32 to +4172	ASTME988-90			
Pt100	-200 to +850	-328 to +1562	IEC751			
Ni100	-60 to +250	-76 to +482				
mV	-10 to +800 mV	---				
Ohm	0 to +1000 Ohm	---				

Notes:

Pt100, 2-, 3- or 4-wire available Type 5333 is only available for a 2 and 3 wire system.

Type 5331A-3-A or **B** and 5331B-3-A or **B**. **B is including galvanic isolation.**

Namur NE43 classification

EMC EN 500081, and 52082 classifications

Vibration: IEC 68-2-6 test FC

Accessories:

TRM-93121 : special clip for rail mounting to DIN rail



Thermo Electric
 P.O. Box 179
 2740 AD Waddinxveen
 The Netherlands

Tel. : +31 (0)182 – 302 850
 Fax : +31 (0)182 – 302 777
 E-mail : info@thermo-electric.nl
 Internet : http://www.thermo-electric.nl

A/260r
Rev.00 08/03