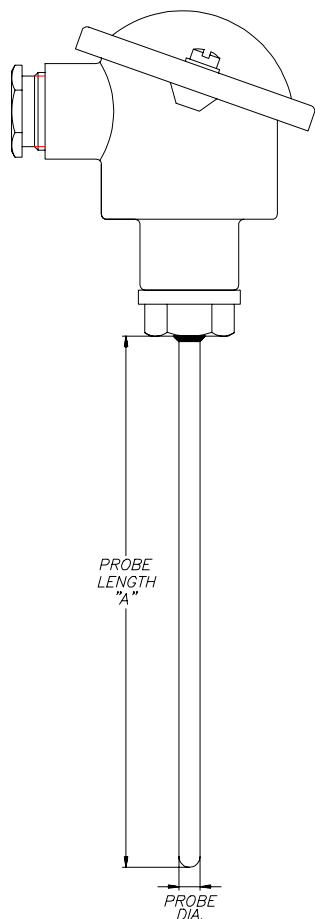


# MI-CABLE THERMOCOUPLE PROBES

with light weight connection head



## Specifications:

Series	:	OTP-70.000
Probe type	:	mineral insulated single or duplex thermocouple
Thermocouple type	:	iron-constantan, type J chromel-alumel, type K copper constantan, type T
Standard limits of error	:	ANSI MC 96.1/IEC-584
Insulation material	:	densely packed MgO, 99,6% purity
Probe diameter	:	4,8 mm (3/16") 6,4 mm (1/4")
Sheath material	:	SS 316 for type J and T (Wstrn.1.4401) and Inconel 600 for type K (Wstrn.2.4816)
Hot junction	:	insulated, common insulated for duplex
Minimum insulation resistance	:	10 Mohm at ambient temperature with 200 V DC
Connection	:	cast aluminium DIN form B with ceramic terminal block
Conduit entry	:	PG 16 cable gland
Probe length 'A'	:	to be specified; replace box in ordering code with your required length; our standard lengths are 150 mm, 250 mm, 350 mm, 500 mm and 750 mm
Adjustable mounting bushing	:	to be specified separately; material stainless steel mounting thread: 1/4" NPT

probe $\varnothing$	ordering code
4,8 mm	MTS-90482
6,4 mm	MTS-90642

For other types, see datasheet B/410

## Ordering code:

□ = probe length 'A' in mm (to be specified)

Probe diameter	Thermocouple type	Single		Duplex	
			'A'		'A'
4,8mm (3/16")	Type J	OTP-70481-	J-□ mm	OTP-72481-	J-□ mm
	Type K	OTP-70483-	K-□ mm	OTP-72483-	K-□ mm
	Type T	OTP-70481-	T-□ mm	OTP-72481-	T-□ mm
6,4mm (1/4")	Type J	OTP-70641-	J-□ mm	OTP-72641-	J-□ mm
	Type K	OTP-70643-	K-□ mm	OTP-72643-	K-□ mm
	Type T	OTP-70641-	T-□ mm	OTP-72641-	T-□ mm



**Thermo Electric**  
P.O. Box 179  
2740 AD Waddinxveen  
The Netherlands

Tel. : +31 (0)182 – 302 850  
Fax : +31 (0)182 – 302 777  
E-mail : [info@thermo-electric.nl](mailto:info@thermo-electric.nl)  
Internet: <http://www.thermo-electric.nl>

**D/210**  
**Rev.00 08/03**