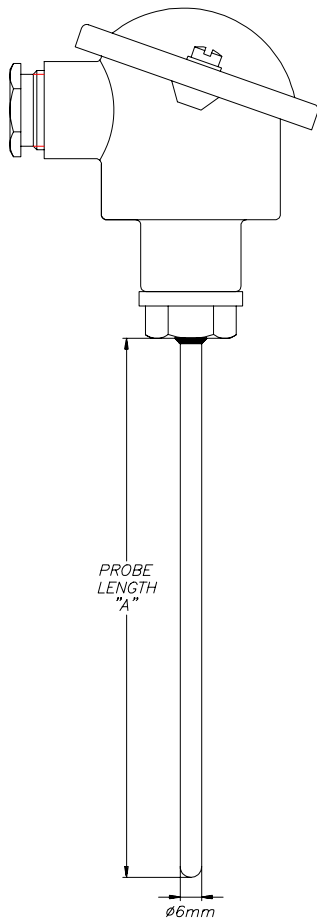


RESISTANCE THERMOMETER PROBES

with light weight connection head



Specifications:

Series	:	OTP-80.000
Probe type	:	sheathed construction
Temperature range	:	-50 to +400°C
Element type	:	Pt100, single or duplex
Resistance values and tolerances	:	IEC-751 class B
Nominal resistance	:	100 Ohm \pm 0,1 at 0 °C
Nominal temperature coefficient	:	0,00385
Recommended maximum current	:	10 mA
Minimum insulation resistance	:	10 Mohm at ambient temperature with 200 V DC
Wiring system	:	2, 3 or 4 wire
Inner lead resistance	:	negligible
Connection	:	cast aluminium DIN form B with ceramic terminal block
Conduit entry	:	PG 16 cable gland
Sheath material	:	SS 316 (Wstnr.1.4401)
Probe length 'A'	:	to be specified; replace box in ordering code with your required length; our standard lengths are 150 mm, 250 mm, 350 mm, 500 mm and 750 mm
Adjustable mounting bushing	:	to be specified separately; material stainless steel

probe \varnothing	mounting thread	ordering code
6,0 mm	M12 x 1,5 mm	MTS-90603

For other types, see datasheet B/410

Ordering code:

Wiring system

2 wire
3 wire
4 wire

Single

OTP-80602- Pt100- mm
OTP-81602- Pt100- mm
OTP-83602- Pt100- mm

Duplex

OTP-82602- Pt100- mm
OTP-84602- Pt100- mm

= probe length 'A' in mm (to be specified)

Also available in inches



Thermo Electric
P.O. Box 179
2740 AD Waddinxveen
The Netherlands

Tel. : +31 (0)182 – 302 850
Fax : +31 (0)182 – 302 777
E-mail : info@thermo-electric.nl
Internet: http://www.thermo-electric.nl

D/211
Rev.00 08/03