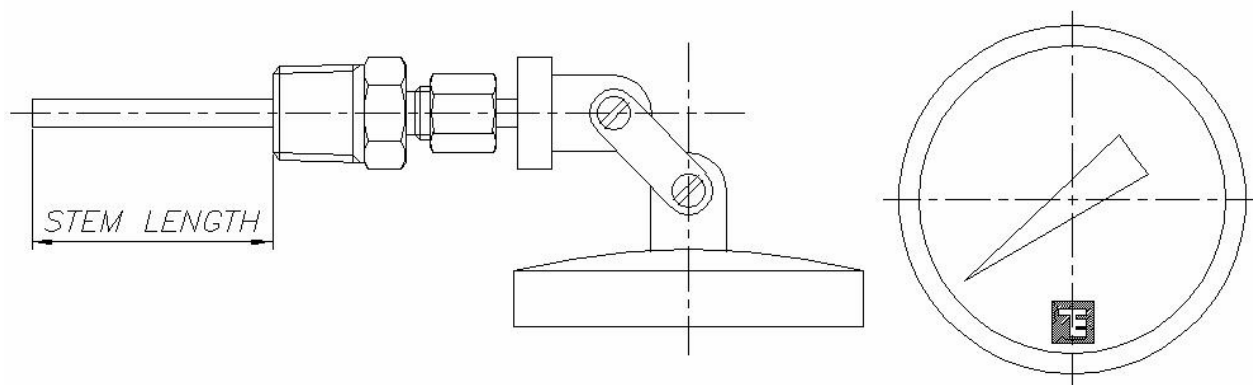


# Bimetallic Thermometer

## For rotating models (every angle)



### Specifications:

Head (dial size)	: 100mm (other head diameters available)
Material head and bezel	: SS 304
Window glass	: thickness 3mm, optional safety glass
Stem diameter	: 6 or 8 mm
Stem length	: to be specify in box
Stem material	: SS 304 or SS 316
Mounting method	: co-axial with threads with 1/2 inch G or 1/2 inch NPT (male)
Connection types	: S= fixed threaded connection : T= swivelling threaded connection : A= with out thread
Temperature range	: -70°C up till 600°C to be specify ( see enclosed range)
Scale identification	: approx. 190mm for 100mm, 250mm for 130mm and 300mm for 160mm
Pointer	: aluminium alloy, black

The printing of the figures and divisions, conform to DIN standards. The antiparallax is made of printed or anodized aluminium.

On request DIN and CL. 1 or CL. 2 indicators can be printed on the dial.

Head size are available in 100mm, 130mm and 160mm

#### Temperature range: °C

-70 to + 50	0 to 60	0 to 200	0 to 400
-30 to + 70	0 to 100	0 to 250	0 to 500
-30 to + 170	0 to 120	0 to 300	0 to 500
-30 to + 270	0 to 160	0 to 320	0 to 600

### Ordering code:

**Example ordering code: BIE-130-T-6mm-350mm-0-250°C**

Base	Dial	Connection type	Diameter	Stem length	Range
BIE	<input type="checkbox"/>	<input type="checkbox"/>	<input type="checkbox"/>	<input type="checkbox"/>	<input type="checkbox"/>



**Thermo Electric**  
P.O. Box 179  
2740 AD Waddinxveen  
The Netherlands

Tel. : +31 (0)182 – 302 850  
Fax : +31 (0)182 – 302 777  
E-mail : info@thermo-electric.nl  
Internet : http://www.thermo-electric.nl

**H/210**  
**Rev.00 08/03**