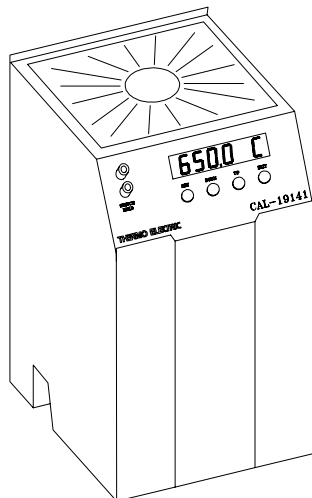


HIGH TEMP FIELD CALIBRATOR

portable, 50 °C to 650 °C



Features:

- High accuracy
- Compact; small size
- Light weight
- 0,1 °C resolution; large range
- Super cooling
- Microprocessor based
- RS 232 included

Applications:

For quick accurate testing of thermocouples and resistance elements in laboratories, refineries power stations, steel works, maintenance, repair and testing facilities.

Specifications:

Model	: CAL-9141
Temperature range	: 50 °C to 650 °C (122 °F to 1202 °F)
Display resolution	: 0,1°
Display	: actual and setpoint temperature
Control system	: PID controller with high stability platinum RTD probe
Accuracy	: ± 0,5 for 50 to 440 °C; ± 1 for 440 to 650 °C; for larger holes than 6,4 mm ± 2 °C
Stability	: ± 0,1 °C below 300 °C; ± 0,2 °C above 300 °C
Heating time	: 12 minutes from ambient to 650 °C
Cooling time 650 °C - 100 °C	: 25 minutes
Stabilization time	: approx. 10 minutes
Uniformity	: 0,3 °C 50 to 440 °C typical; 0,5 °C with similar size wells
Insertion length	: 124 mm
Interchangeable inserts	: one of the following blocks is available block A : (variety block) 12,7 mm, 9,5 mm, 6,4 mm, 4,8 mm, 3,2 mm and 1,6 mm block B : (comparison block) 2 x 9,5 mm, 2 x 6,4 mm, 2 x 4,8 mm block C : (1/4" comparison block) 6 x 6,4 mm
Usage position	: vertical
Enclosure	: rugged aluminium
Dimensions	: 229 x 114 x 178 mm (H x W x D)
Power supply	: 90 to 130 VAC 50/60 Hz or 180 to 260 VAC 50/60 Hz
Carrying case	: rugged, ABS tough case with O-ring for water tight closing; foam interior protects dry-well and accessories

Ordering code:

Weight : 3,6 kg (excluding carrying case)

CAL - 9141 - block
A, B or C

ACCESSORIES: see reverse side



Thermo Electric
P.O. Box 179
2740 AD Waddinxveen
The Netherlands

Tel. : +31 (0)182 – 302 850
Fax : +31 (0)182 – 302 777
E-mail : info@thermo-electric.nl
Internet : <http://www.thermo-electric.nl>

J/511
Rev.00 08/03